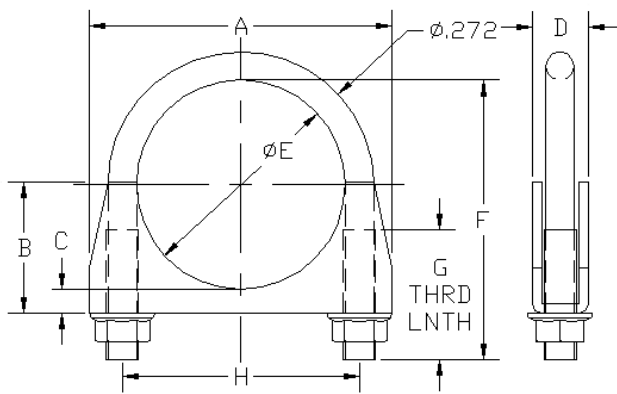


# LD-SERIES

## Double Edge Open End Style Light-Duty Clamp With Round U-Bolt



*Available In These Standard Industry Sizes*

SIZE	PART NO.	A	B	D	E	F	G	H	GA.	WT.
1.00"	LD-100	2.00	.78	.75	1.00	1.76	1.12	1.35	13	
1-1/8"	LD-118	2.25	.88	.75	1.25	2.18	1.12	1.52	13	
1-1/4"	LD-125	2.37	.93	.75	1.37	2.38	1.12	1.64	13	
1-3/8"	LD-138	2.50	.98	.75	1.50	2.43	1.12	1.77	13	
1-1/2"	LD-150	2.87	1.05	.75	1.62	2.40	1.12	1.89	13	
1-5/8"	LD-162	2.87	1.10	.75	1.75	2.48	1.12	2.02	13	
1-3/4"	LD-175	3.00	1.18	.75	1.88	2.58	1.12	2.14	13	
1-7/8"	LD-188	3.00	1.23	.75	2.00	2.66	1.12	2.27	13	
2.00"	LD-200	3.12	1.36	.75	2.12	2.92	1.12	2.39	13	
2-1/8"	LD-218	3.37	1.37	.75	2.25	3.06	1.12	2.52	13	
2-1/4"	LD-225	3.50	1.50	.75	2.38	3.18	1.12	2.64	13	
2-1/2"	LD-250	3.75	1.63	.75	2.62	3.33	1.12	2.89	13	

*NOTE: ACTUAL SADDLE DESIGN MAY VARY FROM THAT SHOWN ABOVE.*

### AVAILABLE FINISH

- Plain
- Zinc Plated Per ASTM B-633

### PACKAGING OPTIONS

- Un-Assembled & Bulk Packed
- Assembled & Bulk Packed
- Individually Packaged Bulk
- Individually Packaged Ten Or Fifty Pack Carton

### COMPONENTS AND MATERIALS

- Complete Clamp Includes
- U-Bolt - C1018 5/16-18 NC-2A Thread
  - Saddle C1008/C1010
  - (2) Serrated Flange Nuts - Grade 2

"SETTING THE STANDARD"



**Ottawa Products Co., Inc.**

1602 S. North Curtice Rd.

Curtice, Ohio 43412

Phone: 419-836-5115

Fax: 419-836-5111

E-mail [info@ottawaproducts.com](mailto:info@ottawaproducts.com)

Internet: [www.ottawaproducts.com](http://www.ottawaproducts.com)



WE RESERVE THE RIGHT TO CHANGE SPECIFICATIONS AND/OR DESIGNS WITHOUT PRIOR NOTICE OR OBLIGATION