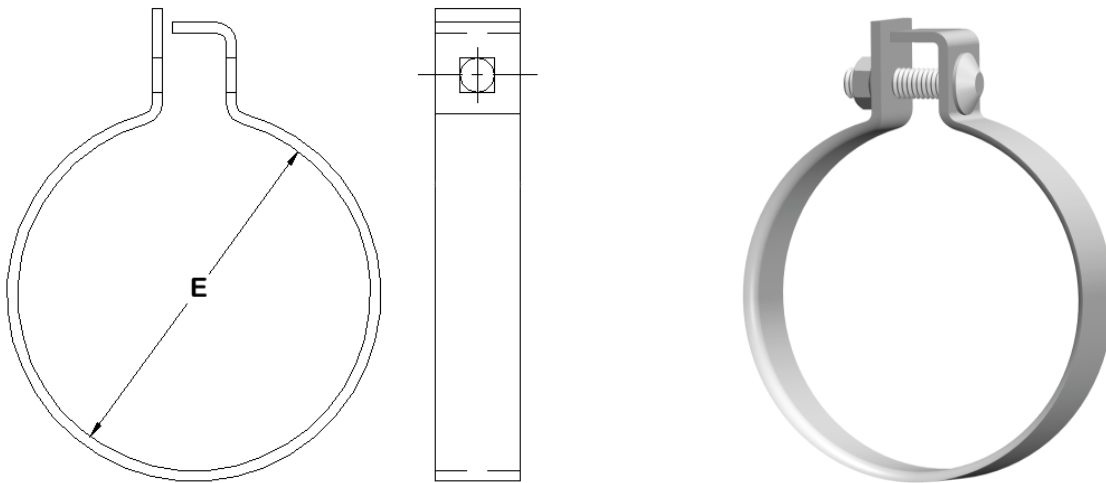


FBS C-SERIES

Heavy-Duty Band Style Clamp



Available In These Standard Industry Sizes

| SIZE | PART NO. | E | APPROX. WT. | SIZE | PART NO. | E | APPROX. WT. |
|--------|----------|-------|-------------|--------|----------|-------|-------------|
| 1-1/4" | FBS C125 | 1.42" | .30 | 3-1/4" | FBS C325 | 3.42" | .48 |
| 1-1/2" | FBS C150 | 1.67" | .31 | 3-1/2" | FBS C350 | 3.67" | .51 |
| 1-5/8" | FBS C162 | 1.79" | .32 | 3-7/8" | FBS C388 | 3.92" | .53 |
| 1-3/4" | FBS C175 | 1.92" | .34 | 4" | FBS C400 | 4.17" | .54 |
| 1-7/8" | FBS C188 | 2.05" | .35 | 4-1/4" | FBS C425 | 4.42" | .68 |
| 2" | FBS C200 | 2.17" | .35 | 4-1/2" | FBS C450 | 4.67" | .61 |
| 2-1/8" | FBS C213 | 2.30" | .37 | 5" | FBS C500 | 5.17" | .65 |
| 2-1/4" | FBS C225 | 2.42" | .37 | 5-1/2" | FBS C550 | 5.67" | .70 |
| 2-1/2" | FBS C250 | 2.67" | .41 | 6" | FBS C600 | 6.17" | .75 |
| 2-3/4" | FBS C275 | 2.92" | .44 | 7" | FBS C700 | 7.17" | .85 |
| 3" | FBS C300 | 3.17" | .46 | 8" | FBS C800 | 8.17" | .95 |

AVAILABLE FINISH

- Plain
- Zinc Plated Per ASTM B-633
- Clear, Yellow Or Black
- Zinc-Nickel Plated
- Hi-Heat Black Paint

COMPONENTS AND MATERIALS

Complete Clamp Includes

- Band - C1008 X 1.0" Wide X .125" Thick
- Carriage Bolt - 3/8-16 X 1.5" Grade 5 - Zinc
- 3/8-16 Top Lock Large Flange Nut Grade 5 - Zinc

"SETTING THE STANDARD"



Ottawa Products Co., Inc.
1602 S. North Curtice Rd.
Curtice, Ohio 43412
Phone: 419-836-5115
Fax: 419-836-5111

E-mail info@ottawaproducts.com
Internet: www.ottawaproducts.com



WE RESERVE THE RIGHT TO CHANGE SPECIFICATIONS AND/OR DESIGNS WITHOUT PRIOR NOTICE OR OBLIGATION