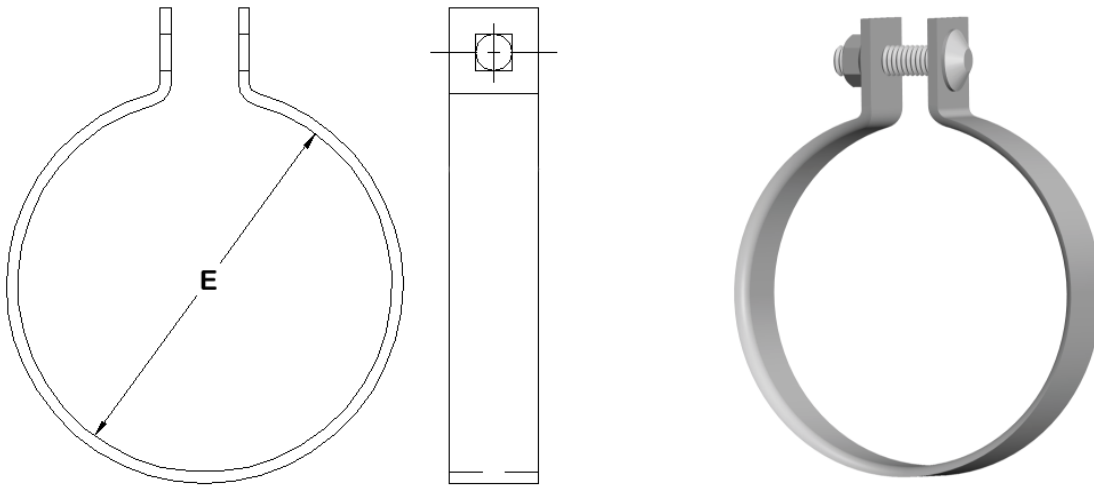


FBS D-SERIES

Heavy-Duty Band Style Clamp



Available In These Standard Industry Sizes

SIZE	PART NO.	E	APPROX. WT.	SIZE	PART NO.	E	APPROX. WT.
1-1/4"	FBS D125	1.42"	.29	3-1/4"	FBS D325	3.42"	.47
1-1/2"	FBS D150	1.67"	.30	3-1/2"	FBS D350	3.67"	.50
1-5/8"	FBS D162	1.79"	.31	3-7/8"	FBS D388	3.92"	.52
1-3/4"	FBS D175	1.92"	.33	4"	FBS D400	4.17"	.54
1-7/8"	FBS D188	2.05"	.34	4-1/4"	FBS D425	4.42"	.56
2"	FBS D200	2.17"	.35	4-1/2"	FBS D450	4.67"	.60
2-1/8"	FBS D213	2.30"	.36	5"	FBS D500	5.17"	.64
2-1/4"	FBS D225	2.42"	.38	5-1/2"	FBS D550	5.67"	.70
2-1/2"	FBS D250	2.67"	.40	6"	FBS D600	6.17"	.74
2-3/4"	FBS D275	2.92"	.43	7"	FBS D700	7.17"	.84
3"	FBS D300	3.17"	.45	8"	FBS D800	8.17"	.94

AVAILABLE FINISH

- Plain
- Zinc Plated Per GMW3044
- Clear, Yellow Or Black
- Zinc-Nickel Plated
- Hi-Heat Black Paint

COMPONENTS AND MATERIALS

Complete Clamp Includes

- Band - C1008 X 1.0" Wide X .125" Thick
- Carriage Bolt - 3/8-16 X 1.5" Grade 2 - Zinc
- 3/8-16 Serrated Flange Nut Grade 2 - Zinc

"SETTING THE STANDARD"



Ottawa Products Co., Inc.

1602 S. North Curtice Rd.

Curtice, Ohio 43412

Phone: 419-836-5115

Fax: 419-836-5111

E-mail info@ottawaproducts.com

Internet: www.ottawaproducts.com

