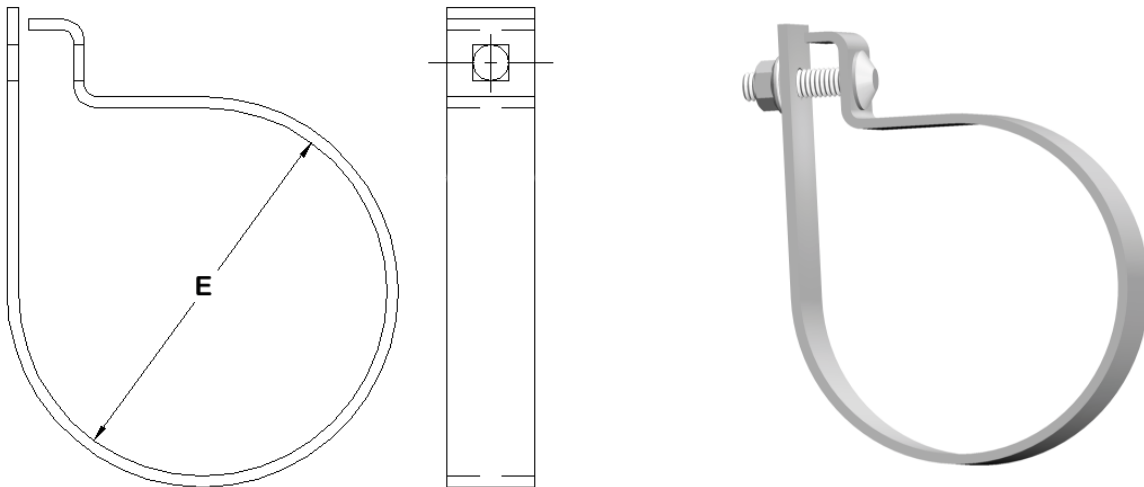


# FBS E-SERIES

## Heavy-Duty Band Style Clamp



*Available In These Standard Industry Sizes*

SIZE	PART NO.	E	APPROX. WT.	SIZE	PART NO.	E	APPROX. WT.
1-1/4"	FBS E125	1.42"	.34	3-1/4"	FBS E325	3.42"	.52
1-1/2"	FBS E150	1.67"	.35	3-1/2"	FBS E350	3.67"	.55
1-5/8"	FBS E162	1.79"	.36	3-7/8"	FBS E388	3.92"	.58
1-3/4"	FBS E175	1.92"	.37	4"	FBS E400	4.17"	.59
1-7/8"	FBS E188	2.05"	.39	4-1/4"	FBS E425	4.42"	.62
2"	FBS E200	2.17"	.40	4-1/2"	FBS E450	4.67"	.65
2-1/8"	FBS E213	2.30"	.41	5"	FBS E500	5.17"	.69
2-1/4"	FBS E225	2.42"	.42	5-1/2"	FBS E550	5.67"	.74
2-1/2"	FBS E250	2.67"	.45	6"	FBS E600	6.17"	.79
2-3/4"	FBS E275	2.92"	.47	7"	FBS E700	7.17"	.89
3"	FBS E300	3.17"	.50	8"	FBS E800	8.17"	.99

### AVAILABLE FINISH

- Plain
- Zinc Plated Per ASTM B-633
- Clear, Yellow Or Black
- Zinc-Nickel Plated
- Hi-Heat Black Paint

### COMPONENTS AND MATERIALS

Complete Clamp Includes

- Band - C1008 X 1.0" Wide X .125" Thick
- Carriage Bolt - 3/8-16 X 1.5" Grade 5 - Zinc
- 3/8-16 Top Lock Large Flange Nut Grade 5 - Zinc

"SETTING THE STANDARD"



Ottawa Products Co., Inc.  
1602 S. North Curtice Rd.  
Curtice, Ohio 43412  
Phone: 419-836-5115  
Fax: 419-836-5111

E-mail [info@ottawaproducts.com](mailto:info@ottawaproducts.com)  
Internet: [www.ottawaproducts.com](http://www.ottawaproducts.com)



WE RESERVE THE RIGHT TO CHANGE SPECIFICATIONS AND/OR DESIGNS WITHOUT PRIOR NOTICE OR OBLIGATION