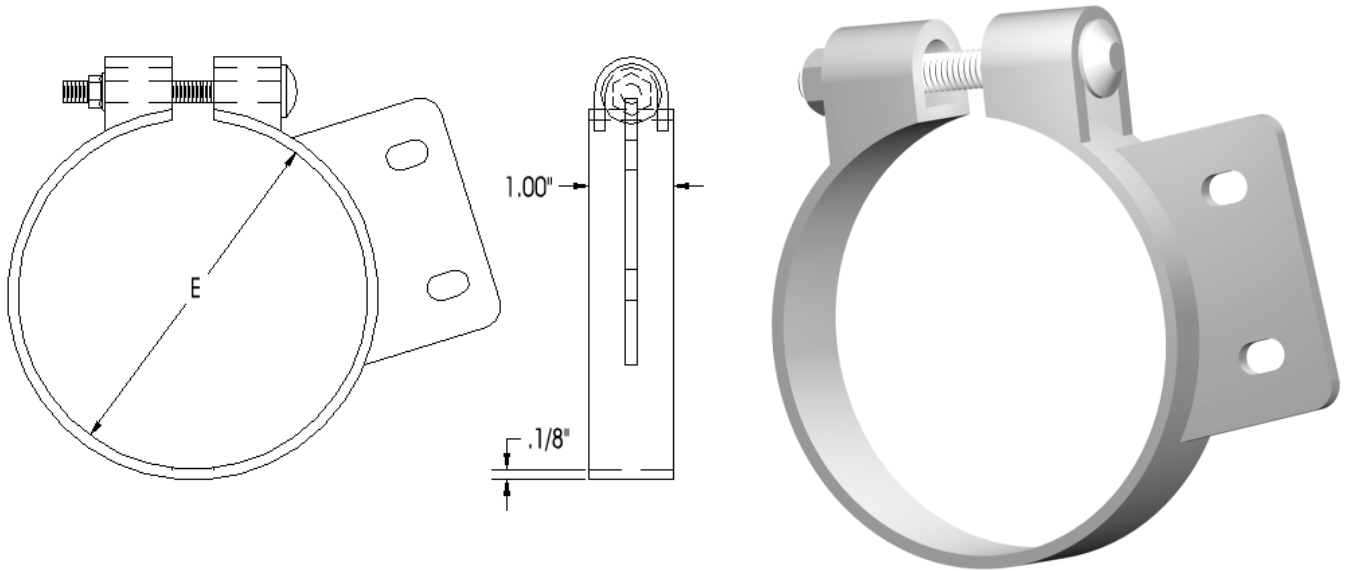


FBSAMTG-SERIES

Heavy-Duty Band Style Mounting Bracket



Kenworth/Peterbilt Heavy-Duty Mounting Bracket

Available In These Standard Industry Sizes

| SIZE | PART NO. | E | APPROX. WT. |
|-------|---------------|-------|-------------|
| 4.00" | FBSAMTG - 400 | 4.00" | 1.01 |
| 5.00" | FBSAMTG - 500 | 5.00" | 1.13 |
| 6.00" | FBSAMTG - 600 | 6.00" | 1.38 |

AVAILABLE FINISH

- Polished Chrome

Other Finishes Available By Request

COMPONENTS AND MATERIALS

Complete Mounting Clamp Includes

- Band - C1008 X 1.0" Wide X .125" Thick
- Carriage Bolt - 3/8-16 X 3.0" Grade 5 - Zinc
- 3/8-16 Top Lock Large Flange Nut Grade 5 - Zinc
- Clip C1008 - .88" Wide X .187" Thick
- 7 Ga. C1008 Mounting Bracket

"SETTING THE STANDARD"



Ottawa Products Co., Inc.

1602 S. North Curtice Rd.

Curtice, Ohio 43412

Phone: 419-836-5115

Fax: 419-836-5111

E-mail info@ottawaproducts.com

Internet: www.ottawaproducts.com



WE RESERVE THE RIGHT TO CHANGE SPECIFICATIONS AND/OR DESIGNS WITHOUT PRIOR NOTICE OR OBLIGATION