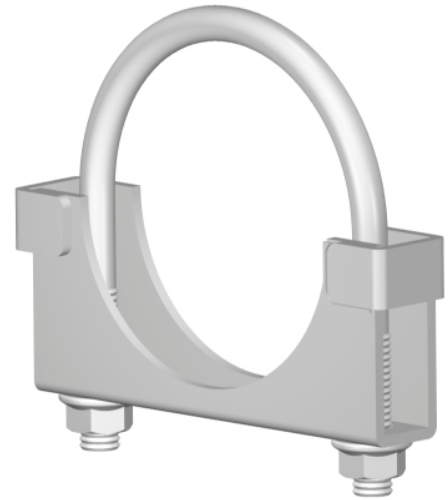
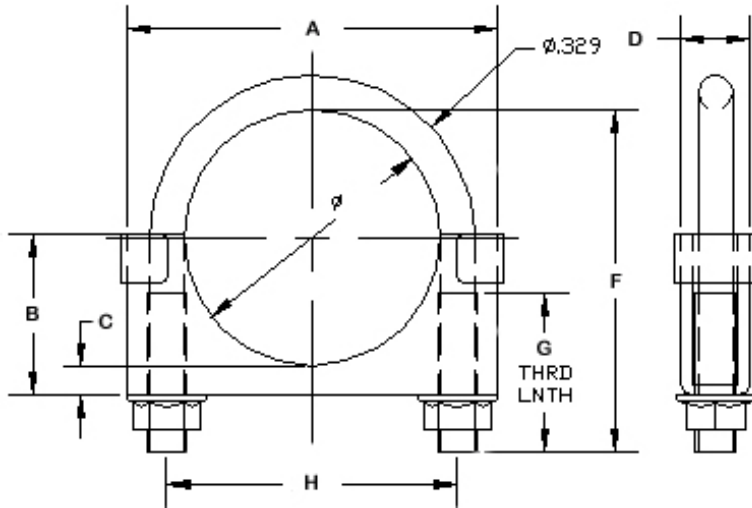


DEC-SERIES

Double Edge Closed End Style
Heavy-Duty Clamp With Round U-Bolt



Available In These Standard Industry Sizes

SIZE	PART NO.	A	B	C	D	E	F	G	H	GA.	WT.
2.50"	DEC-250	3.75	1.65	.33	.81	2.67	4.05	1.50	3.00	11	
2.75"	DEC-275	4.25	1.88	.42	1.00	2.92	4.29	1.50	3.25	11	
3.00"	DEC 300	4.37	1.89	.30	.81	3.17	4.54	1.50	3.50	11	
3.25"	DEC-325	4.50	2.12	.40	1.00	3.42	4.79	1.50	3.70	11	
3.50"	DEC 350	4.88	2.40	.56	.81	3.67	5.37	1.50	4.00	11	
4.00"	DEC 400	5.37	2.50	.42	.81	4.17	5.34	1.50	4.50	11	.98
4.50"	DEC 450	6.25	3.02	.69	1.00	4.62	5.84	1.50	4.96	11	
5.00"	DEC 500	6.37	3.13	.54	.81	5.17	6.44	1.50	5.50	11	1.22
5.50"	DEC 550	7.25	3.37	.50	1.00	5.62	7.37	1.50	6.12	11	1.20
6.00"	DEC 600	7.41	3.70	.60	.81	6.17	7.44	1.50	6.50	11	1.25
7.00"	DEC 700	8.41	4.34	.75	.81	7.17	8.83	2.00	7.50	11	
8.00"	DEC 800	9.41	4.84	.75	.81	8.17	9.69	2.00	8.50	11	

AVAILABLE FINISH

- Plain
- Clear Trivalent Zinc Per GMW3044
- Yellow Or Black Zinc Per ASTM B633
- Chrome Plated
- Hi-Heat Black Paint

PACKAGING OPTIONS

- Un-Assembled & Bulk Packed
- Assembled & Bulk Packed
- Individually Packaged Bulk
- Individually Packaged Ten Or Fifty Pack Carton

COMPONENTS AND MATERIALS

Complete Clamp Includes

- U-Bolt - C1018 3/8-16 NC-2A Thread
- Saddle C1008/C1010
- (2) Serrated Flange Nuts - Grade 2

"SETTING THE STANDARD"



Ottawa Products Co., Inc.

1602 North Curtice Rd.

Curtice, Ohio 43412

Phone: 419-836-5115

Fax: 419-836-5111

E-mail info@ottawaproducts.com

Internet: www.ottawaproducts.com

