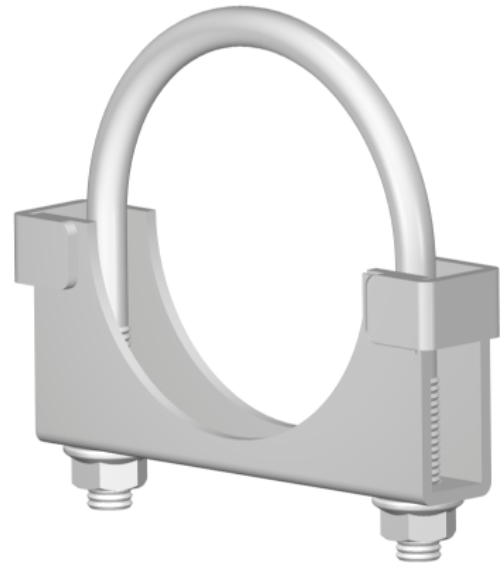
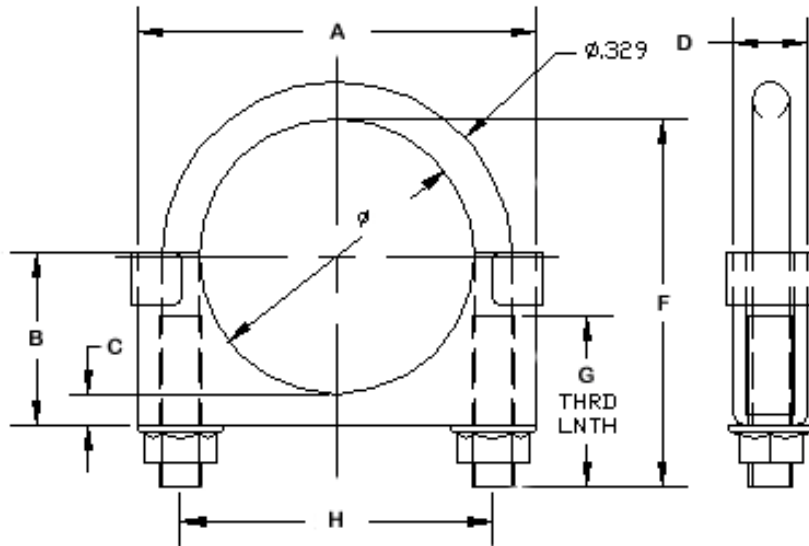


# DEC-SERIES

## Double Edge Closed End Style Heavy-Duty Clamp With Round U-Bolt



*Available In These Standard Industry Sizes*

SIZE	PART NO.	A	B	C	D	E	F	G	H	GA.	WT.
3.00"	DEC 300	4.37	2.00	.50	1.00	3.13	5.08	1.50	3.55	11	
4.00"	DEC 400	5.37	2.50	.42	.81	4.17	5.34	1.50	4.50	11	.98
4.50"	DEC 450	6.25	3.02	.69	1.00	4.62	5.84	1.50	4.96	11	
5.00"	DEC 500	6.37	3.13	.54	.81	5.17	6.44	1.50	5.50	11	1.22
5.50"	DEC 550	7.25	3.37	.50	1.00	5.62	7.37	1.50	6.12	11	1.20
6.00"	DEC 600	7.81	3.68	.60	1.00	6.17	7.44	1.50	6.50	11	1.25

### AVAILABLE FINISH

- Plain
- Zinc Plated Per ASTM B-633
- Clear, Yellow Or Black
- Chrome Plated
- Zinc-Nickel Plated

### PACKAGING OPTIONS

- Un-Assembled & Bulk Packed
- Assembled & Bulk Packed
- Individually Packaged Bulk
- Individually Packaged Ten Or Fifty Pack Carton

### COMPONENTS AND MATERIALS

Complete Clamp Includes

- U-Bolt - C1018 3/8-16 NC-2A Thread
- Saddle C1008/C1010
- (2) Serrated Flange Nuts - Grade 2

"SETTING THE STANDARD"



Ottawa Products Co., Inc.

1602 S. North Curtice Rd.

Curtice, Ohio 43412

Phone: 419-836-5115

Fax: 419-836-5111

E-mail [info@ottawaproducts.com](mailto:info@ottawaproducts.com)

Internet: [www.ottawaproducts.com](http://www.ottawaproducts.com)

