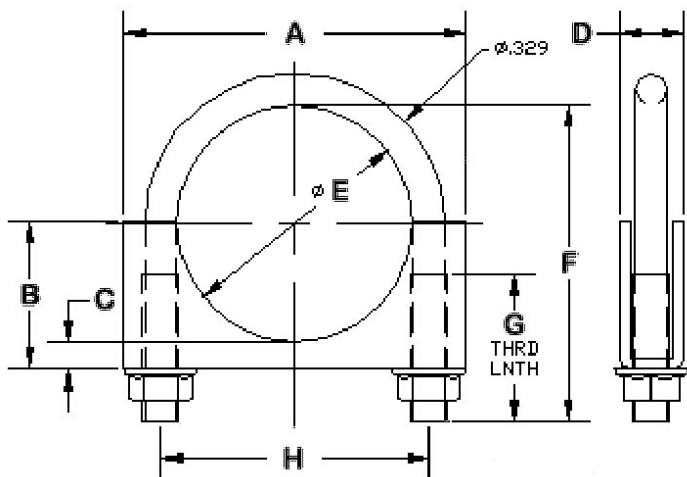


DEO-SERIES

Double Edge Open End Style Heavy-Duty Clamp With Round U-Bolt



Available In These Standard Industry Sizes

SIZE	PART NO.	A	B	C	D	E	F	G	H	GA.	WT.
1.50"	DEO-150	2.88	1.00	.20	.72	1.67	2.38	1.50	2.01	13	.29
2.00"	DEO-200	3.25	1.38	.31	.87	2.17	3.13	1.50	2.50	11	.45
2.25"	DEO-225	3.50	1.50	.31	.75	2.42	3.80	1.50	2.80	11	
2.38"	DEO-238	4.00	1.88	.31	.75	2.50	3.67	1.50	2.83	11	
2.50"	DEO-250	3.75	1.63	.31	.87	2.67	4.00	1.50	3.05	11	.54
3.00"	DEO-300	4.38	1.89	.30	.81	3.17	4.54	1.50	3.50	11	
3.50"	DEO-350	4.88	2.40	.56	.81	3.67	5.37	1.50	4.00	11	.77
4.00"	DEO-400	5.37	2.50	.42	.81	4.17	5.34	1.50	4.50	11	.91
4.50"	DEO-450	6.25	3.02	.69	1.00	4.62	5.84	1.50	4.96	11	
5.00"	DEO-500	6.37	3.13	.54	.81	5.17	6.44	1.50	5.50	11	1.13
5.50"	DEO-550	7.25	3.37	.50	1.00	5.62	7.37	1.50	6.12	11	1.20
6.00"	DEO-600	7.41	3.70	.60	.81	6.17	7.44	1.50	6.50	11	1.25

AVAILABLE FINISH

- Plain
- Clear Trivalent Zinc Per GMW3044
- Yellow Or Black Zinc Per ASTM B633
- Chrome Plated
- Hi-Heat Black Paint

PACKAGING OPTIONS

- Un-Assembled & Bulk Packed
- Assembled & Bulk Packed
- Individually Packaged Bulk
- Individually Packaged Ten Or Fifty Pack Carton

COMPONENTS AND MATERIALS

Complete Clamp Includes

- U-Bolt - C1018 3/8-16 NC-2A Thread
- Saddle C1008/C1010
- (2) Serrated Flange Nuts - Grade 2

"SETTING THE STANDARD"



Ottawa Products Co., Inc.

1602 North Curtice Rd.

Curtice, Ohio 43412

Phone: 419-836-5115

Fax: 419-836-5111

E-mail info@ottawaproducts.com

Internet: www.ottawaproducts.com



WE RESERVE THE RIGHT TO CHANGE SPECIFICATIONS AND/OR DESIGNS WITHOUT PRIOR NOTICE OR OBLIGATION