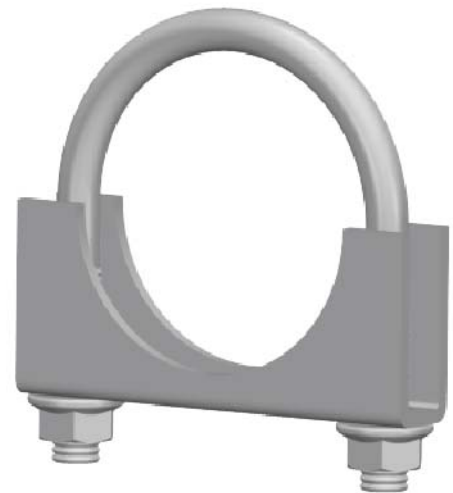
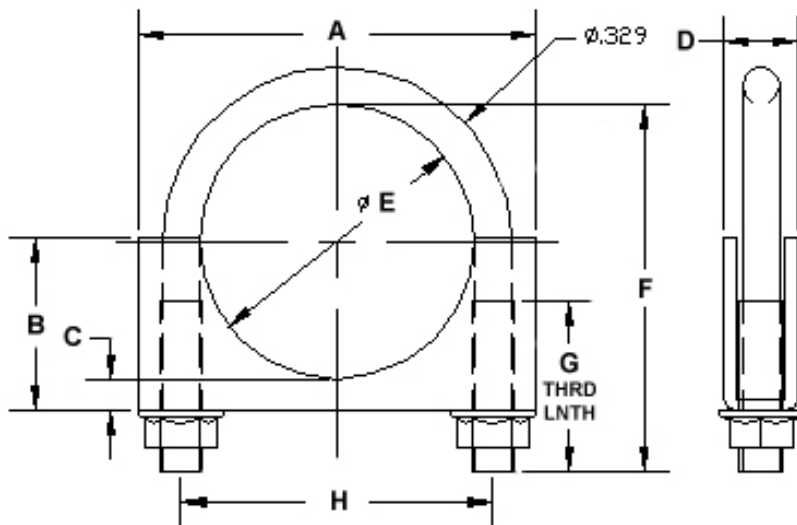


# DEO-SERIES

## Double Edge Open End Style Heavy-Duty Clamp With Round U-Bolt



*Available In These Standard Industry Sizes*

SIZE	PART NO.	A	B	C	D	E	F	G	H	GA.	WT.
3.00"	DEO-300	4.37	2.00	.50	1.00	3.13	5.08	1.50	3.55	11	
4.00"	DEO-400	5.37	2.50	.42	.81	4.17	5.34	1.50	4.50	11	.91
4.50"	DEO-450	6.25	3.02	.69	1.00	4.62	5.84	1.50	4.96	11	
5.00"	DEO-500	6.37	3.13	.54	.81	5.17	6.44	1.50	5.50	11	1.13
5.50"	DEO-550	7.25	3.37	.50	1.00	5.62	7.37	1.50	6.12	11	1.20
6.00"	DEO-600	7.81	3.68	.60	1.00	6.17	7.44	1.50	6.50	11	1.25

### AVAILABLE FINISH

- Plain
- Zinc Plated Per ASTM B-633
- Clear, Yellow Or Black
- Chrome Plated
- Zinc-Nickel Plated

### PACKAGING OPTIONS

- Un-Assembled & Bulk Packed
- Assembled & Bulk Packed
- Individually Packaged Bulk
- Individually Packaged Ten Or Fifty Pack Carton

### COMPONENTS AND MATERIALS

Complete Clamp Includes

- U-Bolt - C1018 3/8-16 NC-2A Thread
- Saddle C1008/C1010
- (2) Serrated Flange Nuts - Grade 2

"SETTING THE STANDARD"



Ottawa Products Co., Inc.  
1602 S. North Curtice Rd.  
Curtice, Ohio 43412  
Phone: 419-836-5115  
Fax: 419-836-5111

E-mail [info@ottawaproducts.com](mailto:info@ottawaproducts.com)  
Internet: [www.ottawaproducts.com](http://www.ottawaproducts.com)



WE RESERVE THE RIGHT TO CHANGE SPECIFICATIONS AND/OR DESIGNS WITHOUT PRIOR NOTICE OR OBLIGATION