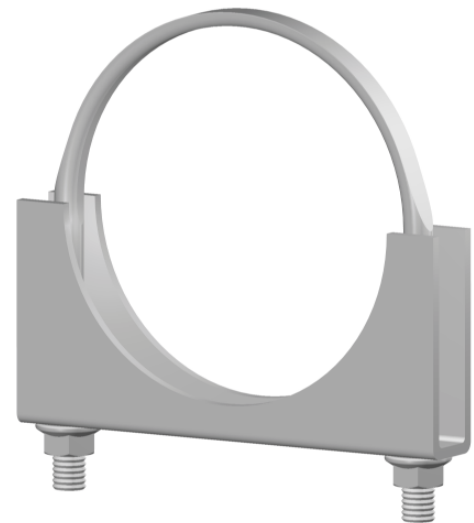
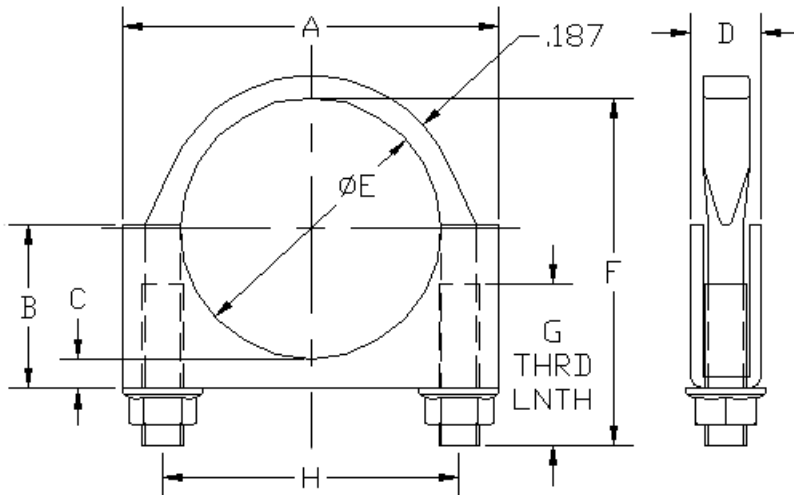


DEOF-SERIES

Double Edge Open End Style Heavy-Duty Clamp With Flat U-Bolt



Available In These Standard Industry Sizes

| SIZE | PART NO. | A | B | C | D | E | F | G | H | GA. | WT. |
|-------|----------|------|------|-----|------|------|------|------|------|-----|------|
| 3.00" | DEOF-300 | 4.37 | 2.00 | .50 | 1.00 | 3.13 | 5.08 | 1.50 | 3.55 | 11 | |
| 4.00" | DEOF-400 | 5.37 | 2.50 | .42 | .81 | 4.17 | 5.34 | 1.50 | 4.50 | 11 | .91 |
| 4.50" | DEOF-450 | 6.25 | 3.02 | .69 | 1.00 | 4.62 | 5.84 | 1.50 | 4.96 | 11 | |
| 5.00" | DEOF-500 | 6.37 | 3.13 | .54 | .81 | 5.17 | 6.44 | 1.50 | 5.50 | 11 | 1.13 |
| 5.50" | DEOF-550 | 7.25 | 3.37 | .50 | 1.00 | 5.62 | 7.37 | 1.50 | 6.12 | 11 | 1.20 |
| 6.00" | DEOF-600 | 7.75 | 3.68 | .60 | 1.00 | 6.12 | 7.44 | 1.50 | 6.50 | 11 | 1.25 |

AVAILABLE FINISH

- Plain
- Zinc Plated Per ASTM B-633
- Clear, Yellow Or Black
- Chrome Plated
- Zinc-Nickel Plated

PACKAGING OPTIONS

- Un-Assembled & Bulk Packed
- Assembled & Bulk Packed
- Individually Packaged Bulk
- Individually Packaged Ten Or Fifty Pack Carton

COMPONENTS AND MATERIALS

- Complete Clamp Includes
- U-Bolt - C1018 3/8-16 NC-2A Thread
 - Saddle C1008/C1010
 - (2) Serrated Flange Nuts - Grade 2

"SETTING THE STANDARD"



Ottawa Products Co., Inc.
1602 S. North Curtice Rd.
Curtice, Ohio 43412
Phone: 419-836-5115
Fax: 419-836-5111

E-mail info@ottawaproducts.com
Internet: www.ottawaproducts.com

